

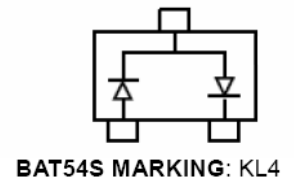
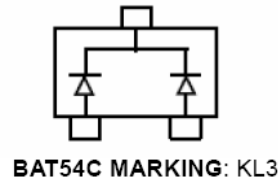
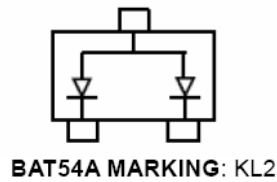
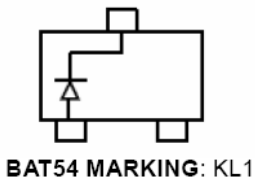
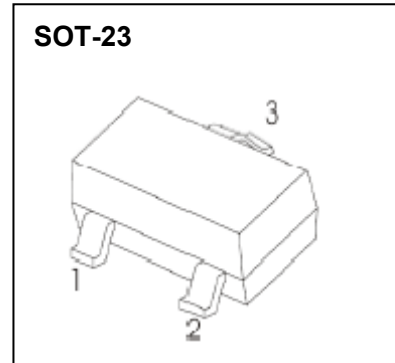


DONGGUAN NANJING ELECTRONICS LTD.,
SOT-23 Plastic-Encapsulate Diodes

BAT54/A/C/S SCHOTTKY BARRIER DIODE

FEATURES

- Extremely Fast Switching Speed



MAXIMUM RATINGS (T_a=25°C unless otherwise noted)

Parameter	Symbol	Value	Unit
Peak Repetitive Reverse Voltage	V _{RRM}	30	V
Working Peak Reverse Voltage	V _{RWM}		
DC Blocking Voltage	V _R		
Forward Continuous Current	I _{FM}	200	mA
Non-repetitive Peak Forward Surge Current @ t < 1s	I _{FSM}	600	mA
Repetitive Peak Forward Current @ t ≤ 1s, δ ≤ 0.5	I _{FRM}	300	mA
Power Dissipation	P _D	200	mW
Thermal Resistance from Junction to Ambient	R _{θJA}	500	°C/W
Junction Temperature	T _j	125	°C
Storage Temperature	T _{stg}	-55~+150	°C

ELECTRICAL CHARACTERISTICS(T_a=25°C unless otherwise specified)

Parameter	Symbol	Min	Typ	Max	Unit	Test conditions
Reverse voltage	V _(BR)	30			V	I _R =100μA
Forward voltage	V _F			0.24	V	I _{F1} =0.1mA
				0.32	V	I _{F2} =1mA
				0.40	V	I _{F3} =10mA
				0.50	V	I _{F4} =30mA
				1	V	I _{F5} =100mA
Reverse current	I _R			2	μA	V _R =25V
Diode capacitance	C _D			10	pF	V _R =1V, f=1MHz
Reverse recovery time	t _{rr}			5	ns	I _F =I _R =10mA I _{rr} =0.1 × I _R , R _L =100 Ω

Typical Characteristics

BAT54/A/C/S

